



FIST™ GCO2 Fiber Optic Splice Closure, Heat Shrink Cable sealing, size FD, no pre-installed fiber trays, 8 ports

- Single-ended, O-ring sealed dome closure for splicing feeder and distribution cables
- Compatible with most common cable types: e.g. loose tube, central core, ribbon fiber
- Universal mounting system (UMS) profiles provide foundation for mounting combinations of FIST splice trays
- Closure can be used in aerial, pedestal and underground (up to 5 meters) environments
- Compatible with CommScope's CWDM modules and optical splitter trays

## Product Classification

<b>Product Type</b>	Single-ended, rectangular fiber closure
<b>Regional Availability</b>	EMEA
<b>Product Series</b>	FIST-GCO2

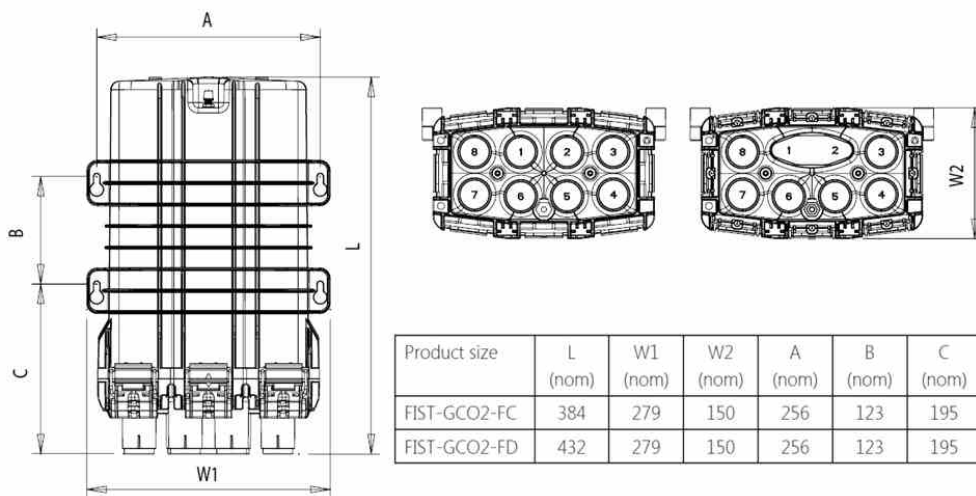
## General Specifications

<b>Splicing Type, Supported</b>	Mass fusion   Single fusion
<b>Splicing Capacity, Mass Fusion, maximum</b>	96
<b>Splicing Capacity, Single Fusion, maximum</b>	144
<b>Color</b>	Black
<b>Network Area Type</b>	Distribution
<b>Package, quantity</b>	1
<b>Packaging Type</b>	Box   Carton
<b>Splice Tray Included, quantity</b>	0
<b>Splicing Capacity, Single Splice, 12 fibers, maximum</b>	144
<b>Splicing Capacity, Single Splice, 2 fibers, maximum</b>	48

## Dimensions

<b>Main Cable Diameter, maximum</b>	25.00 mm
<b>Cable Entry Drop Port Diameter</b>	20 mm
<b>Cable Entry Main Port Dimensions</b>	30 mm x 82 mm (1.18 in x 3.23 in)
<b>Height</b>	279.00 mm   10.98 in
<b>Length</b>	432.00 mm   17.01 in
<b>Weight</b>	3.40 kg   7.50 lb
<b>Width</b>	150.00 mm   5.91 in

## Dimension Drawing



Product size	L (nom)	W1 (nom)	W2 (nom)	A (nom)	B (nom)	C (nom)
FIST-GCO2-FC	384	279	150	256	123	195
FIST-GCO2-FD	432	279	150	256	123	195

## Mechanical Specifications

<b>Cable Sealing Type</b>	Gel kit (optional)   Heat shrink
<b>Cable Entry Drop Port Style</b>	Round
<b>Cable Entry Main Port Style</b>	Round
<b>Cable Ports, quantity</b>	8
<b>Closure Sealing Type</b>	Dome-to-base clamp with O-ring
<b>Closure Style</b>	Single-ended
<b>Material Type</b>	Impact-resistant polymer
<b>Mount Type</b>	Pole   Strand   Wall

## Environmental Specifications

<b>Environmental Space</b>	Below ground   Buried
<b>Qualification Standard</b>	IEC 61300, 5 m waterhead

## Regulatory Compliance/Certifications

<b>Agency</b>	RoHS 2011/65/EU	<b>Classification</b>	Compliant
---------------	-----------------	-----------------------	-----------