



BUDI Fiber Optic Wall mount Enclosure, empty for holding FIST Splice Trays, with lock

- Compact, wall mountable fiber enclosures for indoor and outdoor use
- Specifically designed for fast FTTH deployment and easy customer connection
- Available with splicing (FIST) and/or patching and/or splitter combinations
- Multiple and modular cable port sealing options using gel technology

Product Classification

Brand	FIST™
Product Type	Fiber wall box
Product Series	BUDI
Regional Availability	EMEA

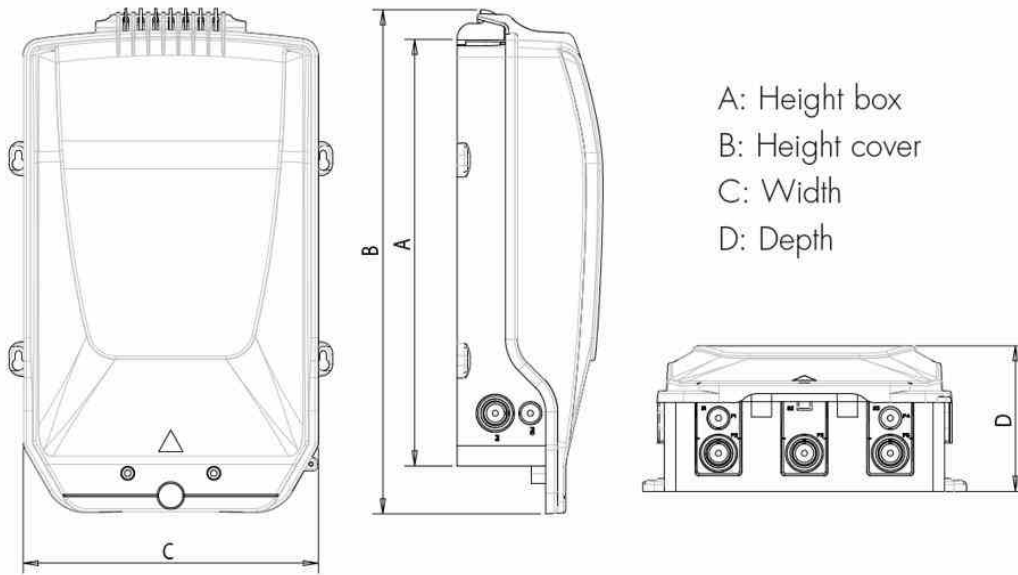
General Specifications

Enclosure Color	Gray
Functionality	Splicing
Package, quantity	1
Packaging Type	Box Carton
Splicing Capacity, maximum	168

Dimensions

Depth	145.00 mm 5.71 in
Height	425.00 mm 16.73 in
Height, with cover	500.00 mm 19.69 in
Width	295.00 mm 11.61 in

Dimension Drawing



Dimension Drawing Used as an image placeholder

Mechanical Specifications

Access	Front
Enclosure Material Type	LSZH thermoplastic
Front Cover Type	Snap-on cover
Lock Type	Key lock
Mount Type	Wall

Environmental Specifications

Environmental Space	Outdoor
Qualification Standard	IEC 60529, IP54 IEC 61753-1, category G

Regulatory Compliance/Certifications

Agency	RoHS 2011/65/EU	Classification	Compliant
---------------	-----------------	-----------------------	-----------