

# FACT FRAME

INSTALLATION INSTRUCTION: Cable To Flex Conversion Kit

**FACT FRAME CABLE TO FLEX CONVERSION KIT**

**Contents**

1.	<b>General product information</b> .....	2	6.	<b>Cable Preparation</b> .....	6
2.	<b>Warnings and caution</b> .....	2	7.	<b>Cable Termination</b> .....	7
3.	<b>Kit Content</b> .....	3	8.	<b>CTU Mounting</b> .....	9
4.	<b>Determine Cable Entry &amp; Plate Position</b> .....	4	9.	<b>Trade-marks</b> .....	12
5.	<b>Mounting Cable Attachment Plate</b> .....	5	10.	<b>Contact Information</b> .....	12

**1. General product information**

The FACT cable attachment plate (CAPL) is designed to terminate thicker or stiffer cables in the cable side duct, guiding the fibers or sub units to the FACT chassis through a corrugated tube.

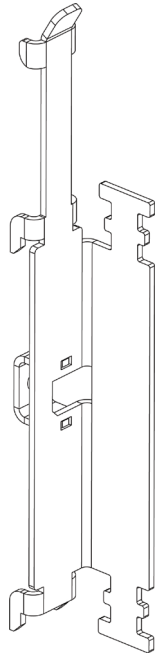
The kit content includes one attachment plate (for a maximum of ten cables) and a set of conversion components for one cable to one flex.

Corrugated tube is not included in this kit.

**2. Warnings and caution**

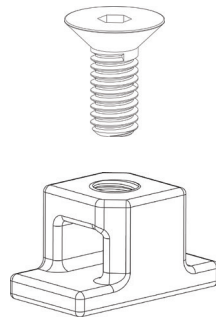
- Fiber optic cables may be damaged if bent or curved to a radius that is less than the recommended minimum bend radius. Always observe the recommended bend radius limit when installing fiber optic cables and patch cords.
- Exposure to laser radiation can seriously damage the retina of the eye. Do not look into the ends of any optical fiber. Do not assume the laser power is turned off or that the fiber is disconnected at the other end.

### 3. Kit Content



1x

Fanout Bracket



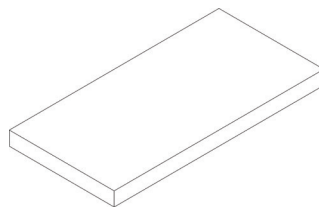
1x

SM Holder + Bolt



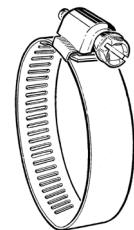
4x

Cable Tie



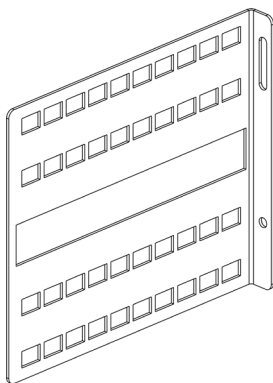
2x

Foam



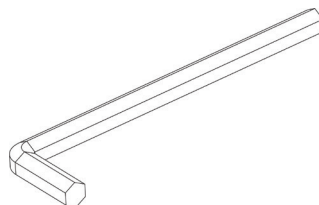
1x

Hose Clamp



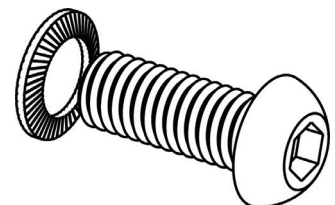
1x

Cable Attachment Plate



1x

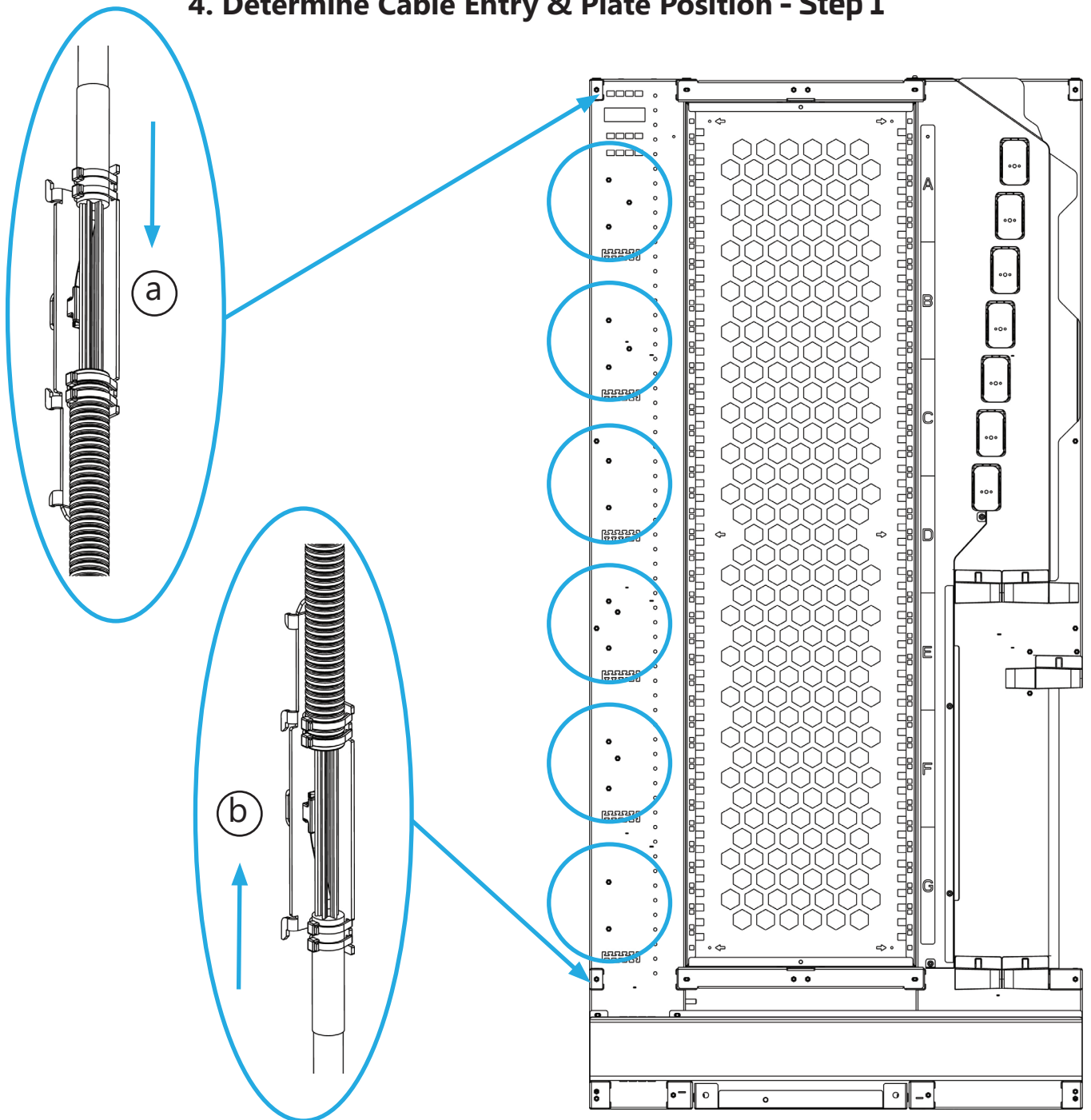
Allen key



2x

M6 Bolt + Washer

#### 4. Determine Cable Entry & Plate Position - Step 1



**Step 1:** Determine the configuration: top or bottom entry.

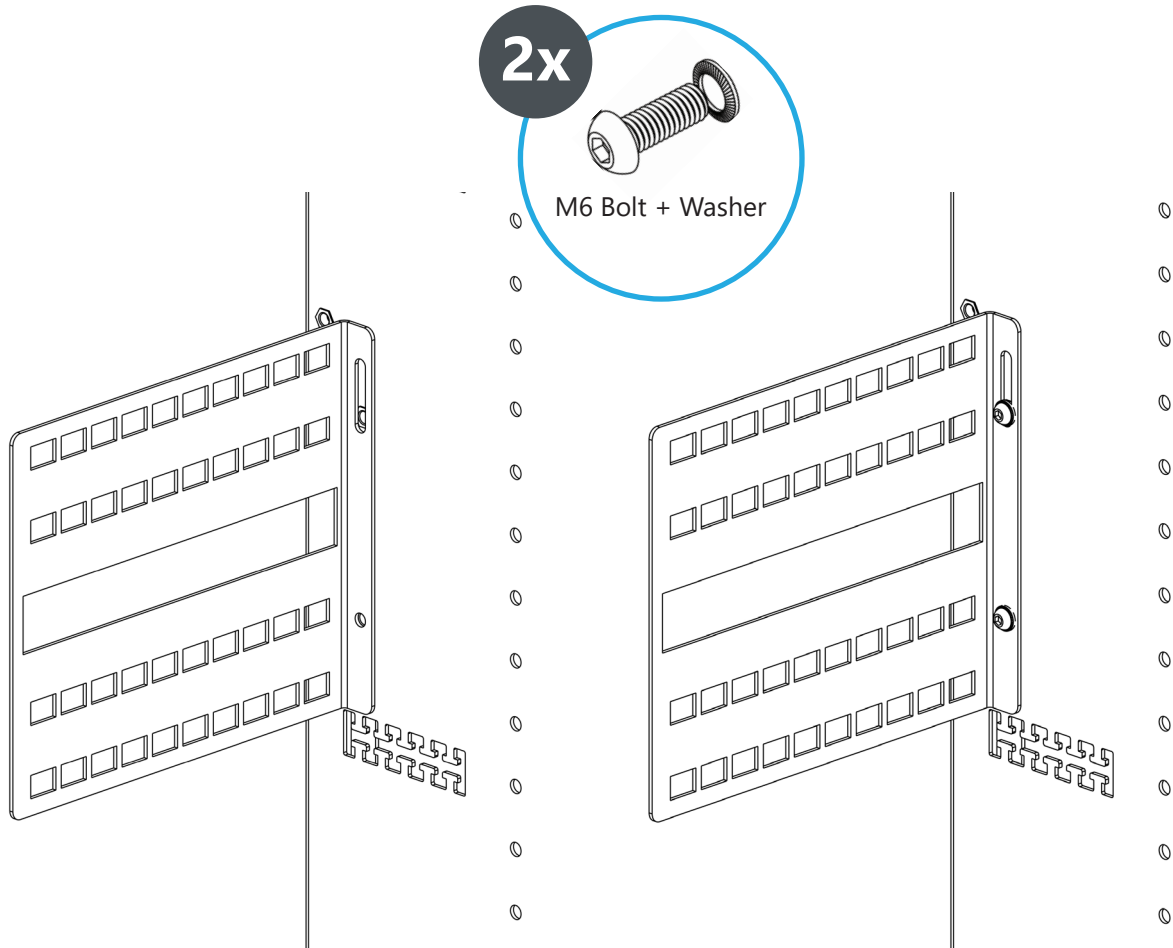
The cable fixation plate can be mounted on the circled areas.

For top entry (a), the incoming cable enters at the top and the flex tube leaves at the bottom of the metal CTU.

For bottom entry (b), the incoming cable enters at the bottom and the flex tube leaves at the top of the metal CTU.

\* This example shows a RHP Cross Connect Frame.

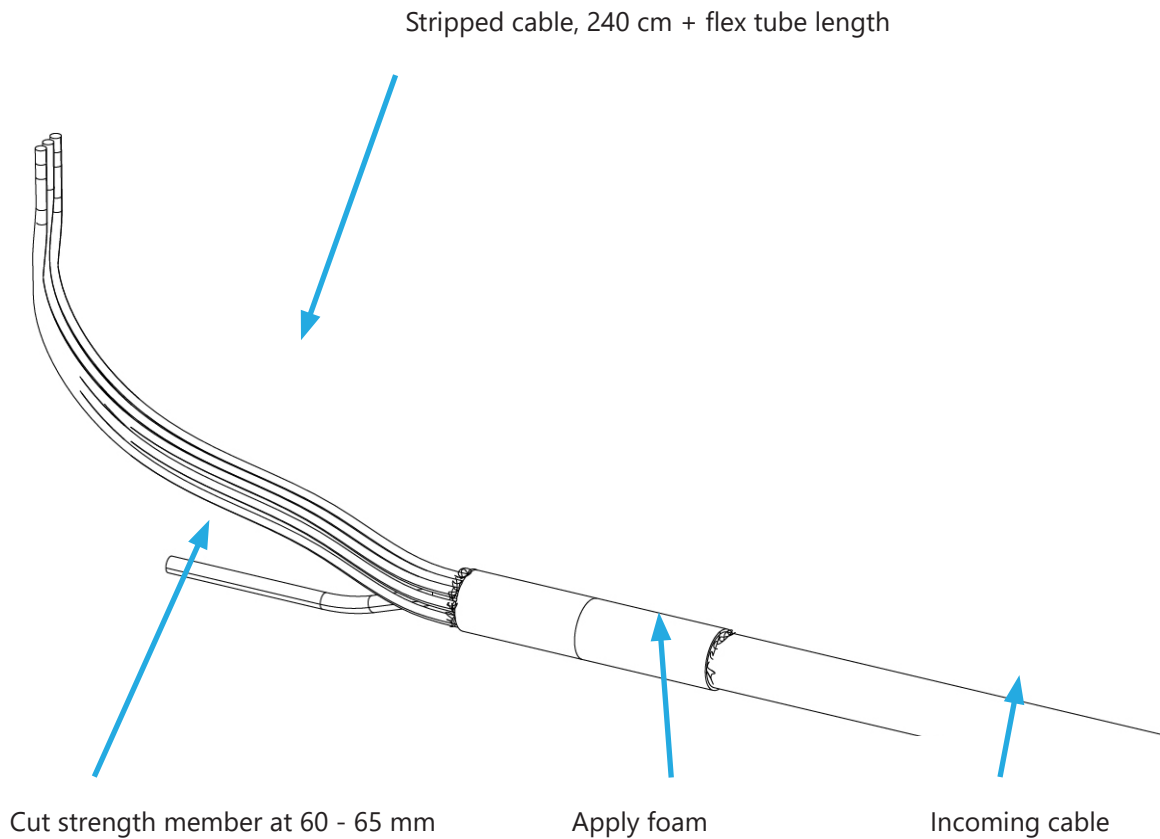
## 5. Mounting Cable Attachment Plate - Step 2



**Step 2:** Mount the cable attachment plate in one of the six areas. Use two M6 bolts + washers for this. Up to six plates can be mounted.

\* This example shows a RHP Cross Connect Frame.

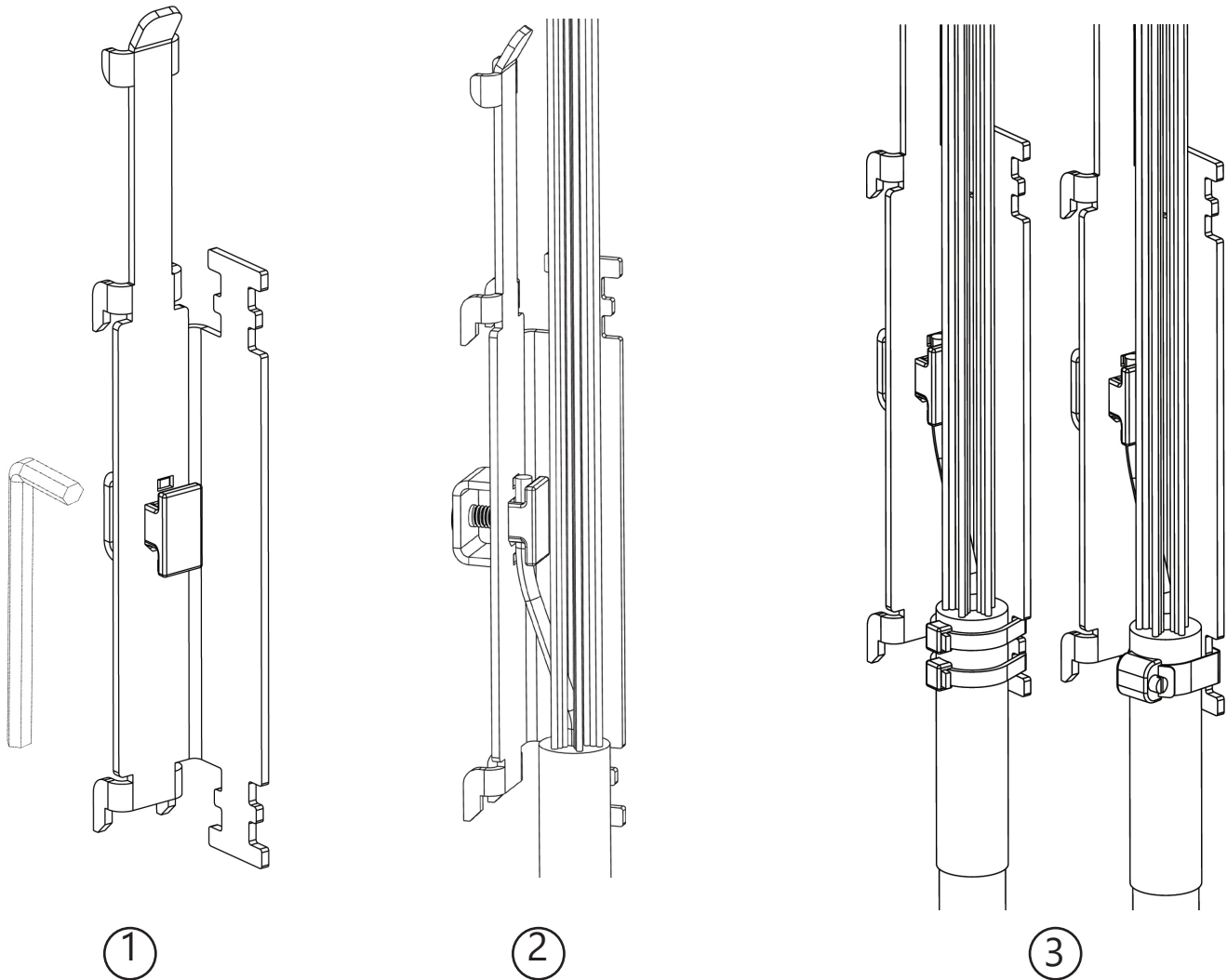
## 6. Cable Preparation - Step 3



### Step 3:

Strip the incoming cable, cut the strength member at 60 - 65 mm, apply the foam and make sure that you have 240 cm + flex tube length of stripped cable left.

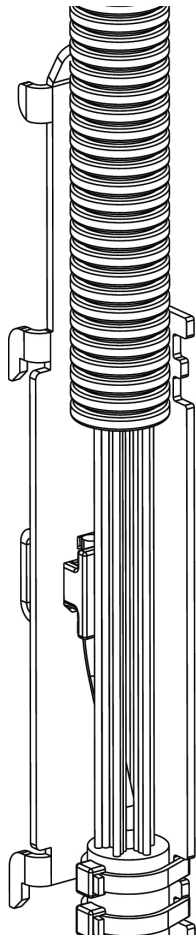
## 7. Cable Termination - Step 4



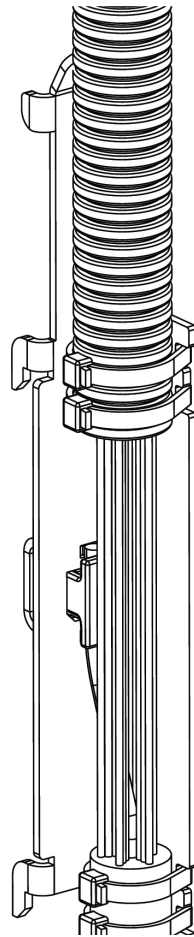
### Step 4 (bottom entry as example):

- 1) Loosen the strength member holder screw on the backside of the metal CTU.
- 2) Prepare the incoming cable (don't forget to apply the foam around the end). Align this cable on the metal CTU, position the SM in the holder and tighten the screw.
- 3) Apply two cable ties to secure the cable. / A hose clamp can be used as an alternative.

## 7. Cable Termination - Step 5



①



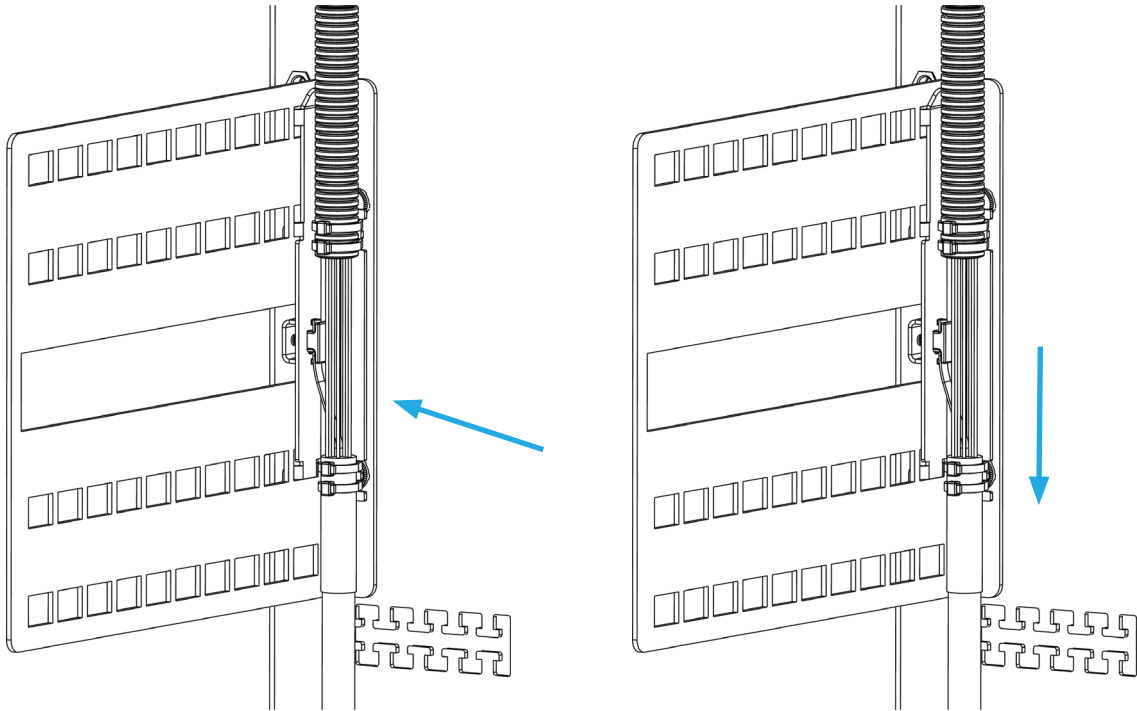
②

### Step 5:

- 1) Feed the tubes through the flex tube. Position the flex tube on the metal CTU.
- 2) Apply two cable ties to secure the flex tube.



## 8. CTU Mounting - Step 6



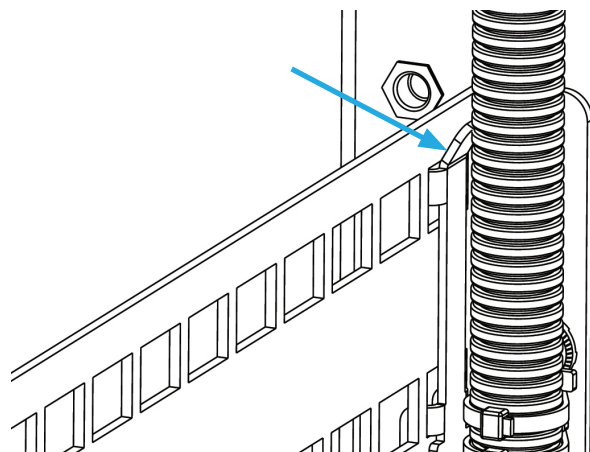
### Step 6:

To mount the metal CTU on the cable attachment plate, align it in the openings and slide it down. You should hear a “click” once the CTU is mounted securely. Repeat this for all CTU’s to be mounted (up to ten CTU’s per plate).

\* This example shows a bottom entry.

### CTU Removal:

To remove the metal CTU, bend the lip forward, to unlock. Holding the lip forward, slide the CTU upwards and lift it out of the openings.







## 9. Trade-marks:

All trademarks identified by ® or ™ are registered trademarks or trademarks, respectively, of CommScope, Inc. This document is for planning purposes only and is not intended to modify or supplement any specifications or warranties relating to CommScope products or services. CommScope is committed to the highest standards of business integrity and environmental sustainability, with a number of CommScope's facilities across the globe certified in accordance with international standards, including ISO9001, TL 9000, and ISO 14001. Further information regarding CommScope's commitment can be found at:  
[www.commscope.com/About-Us/Corporate-Responsibilityand-Sustainability](http://www.commscope.com/About-Us/Corporate-Responsibilityand-Sustainability).

## 10. Contact Information:

Visit our website or contact your local CommScope representative for more information.

For technical assistance, customer service, or to report any missing/damaged parts, visit us at:

<http://www.commscope.com/SupportCenter>

This product is covered by one or more U.S. patents or their foreign equivalents. For patents, see

[www.commscope.com/ProductPatent/ProductPatent.aspx](http://www.commscope.com/ProductPatent/ProductPatent.aspx)

© 2019 Commscope,  
Inc. All Rights Reserved